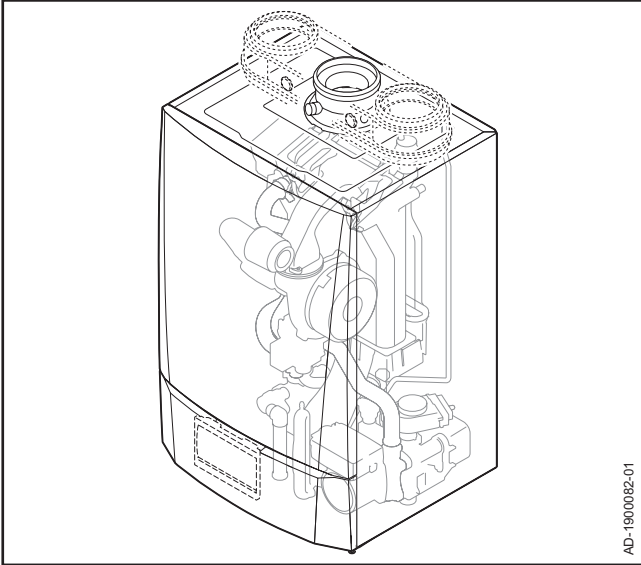
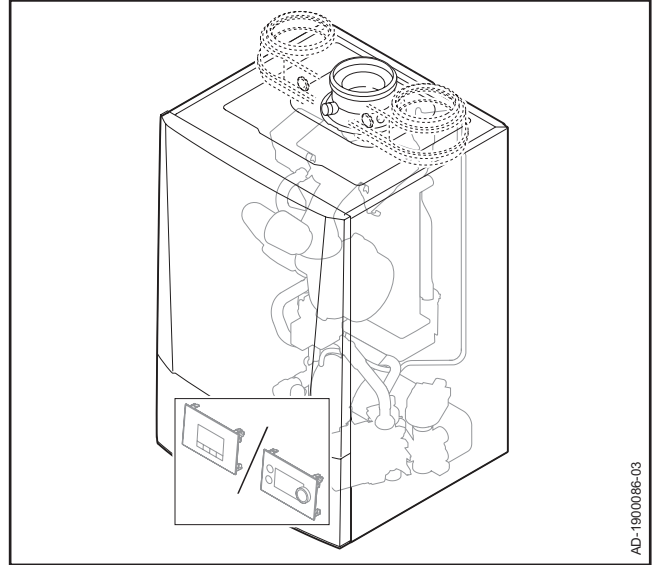
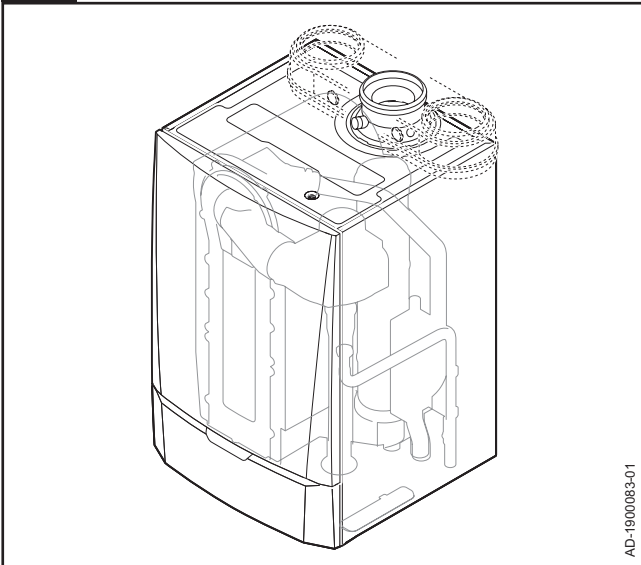
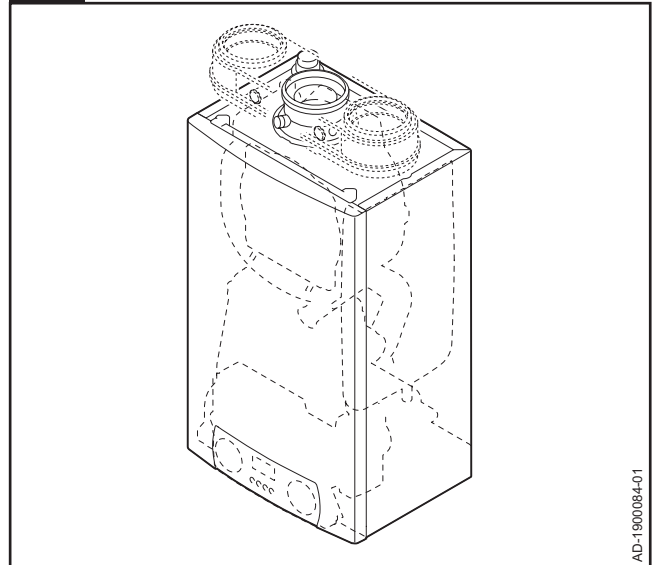
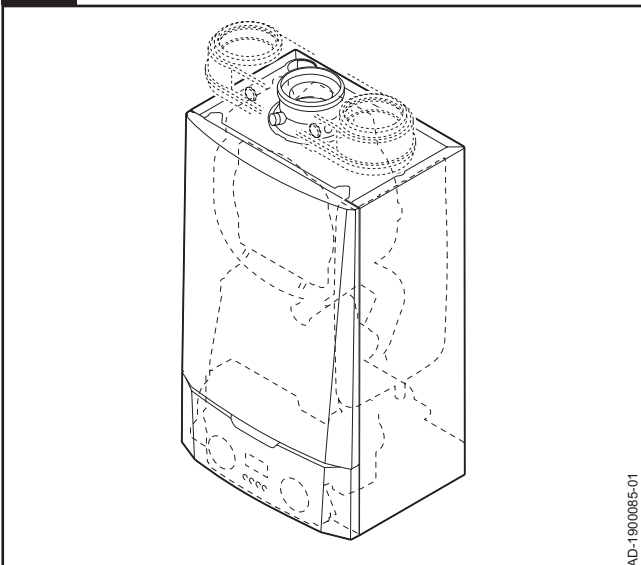
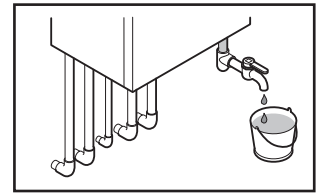
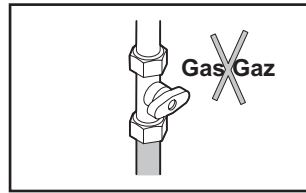
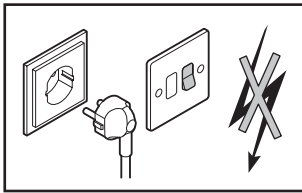
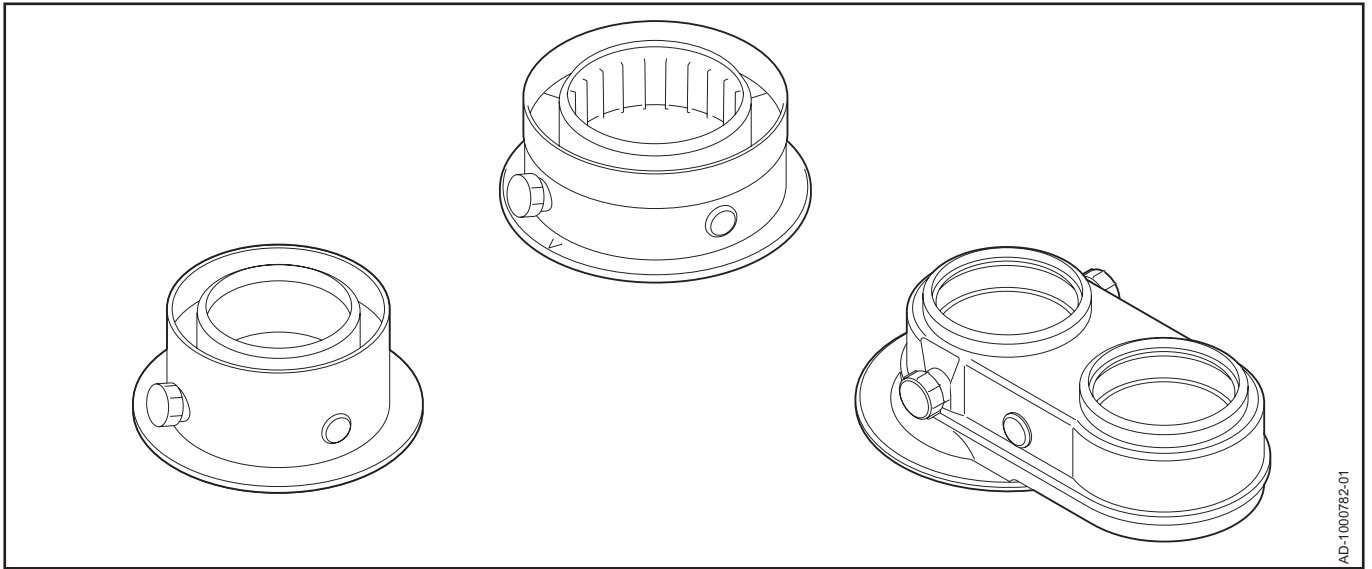


Montage instructie
Assembly instructions
Instructions de montage
Montageanweisung
Instrucciones para el montaje
Istruzioni di montaggio

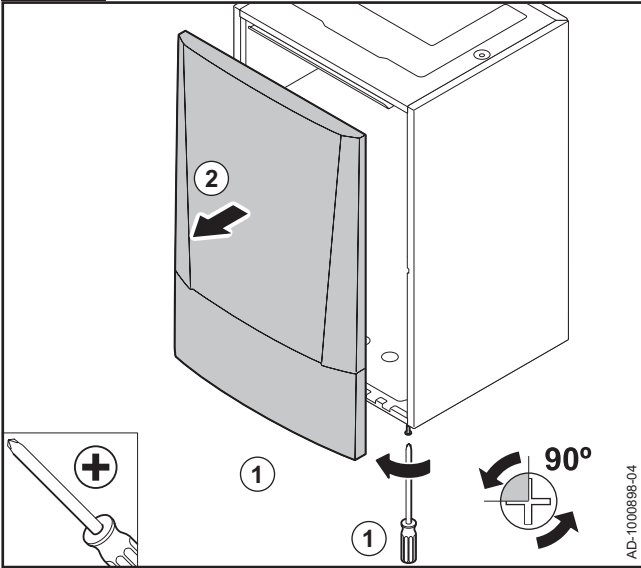
Adapter RGA/LTV
Flue gas discharge adapter
Adaptateur d'évacuation des fumees
Abgasanschluss-Stück
Adaptador de descarga de gases de combustión
Adattatore per scarico fumi

A**B****C****D****E**

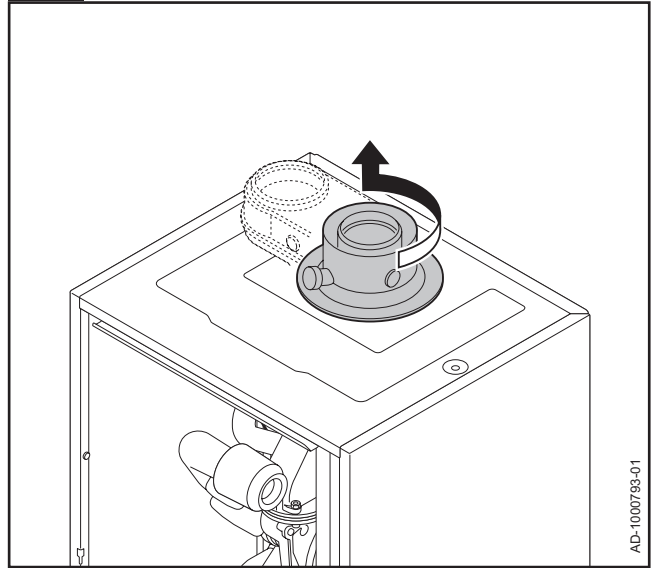
Inhoud verpakking - Set contents - Contenu du kit
Inhalt des Bauzatzes - Contenido del paquete - Contenuti del pacchetto



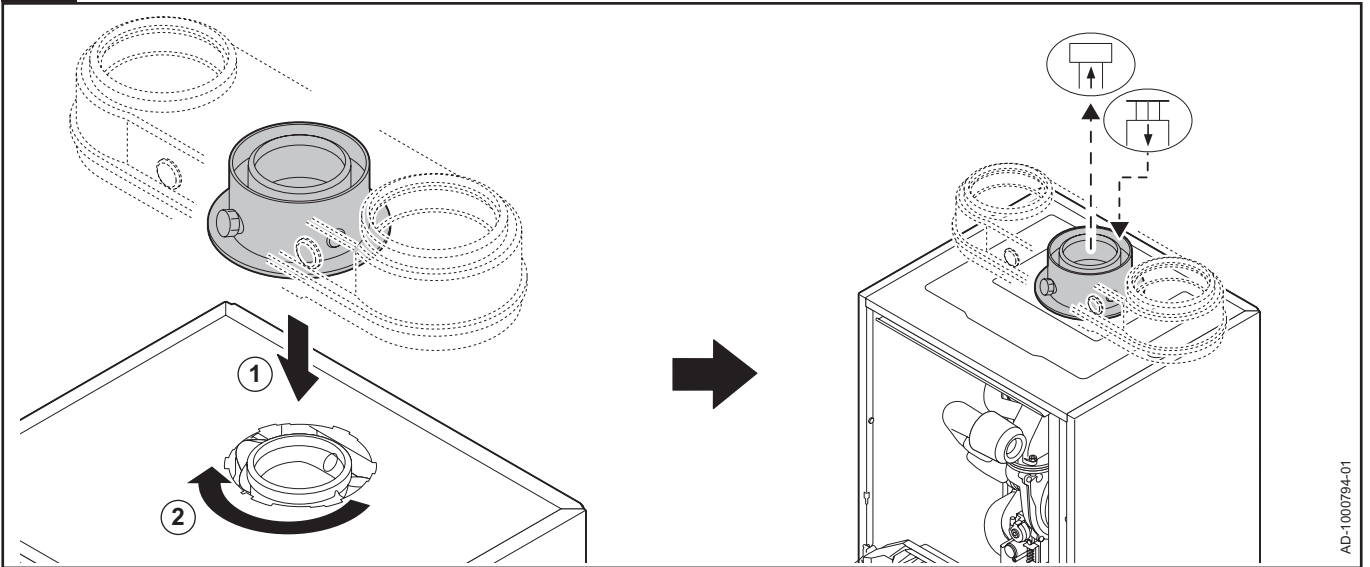
A/B/C1



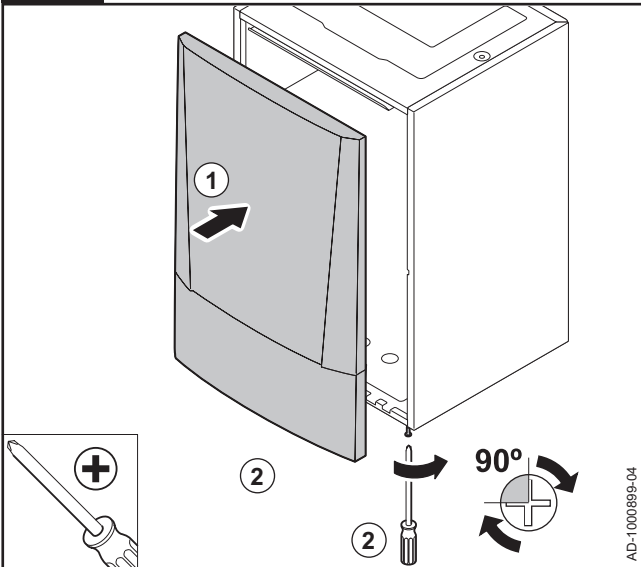
A/B2

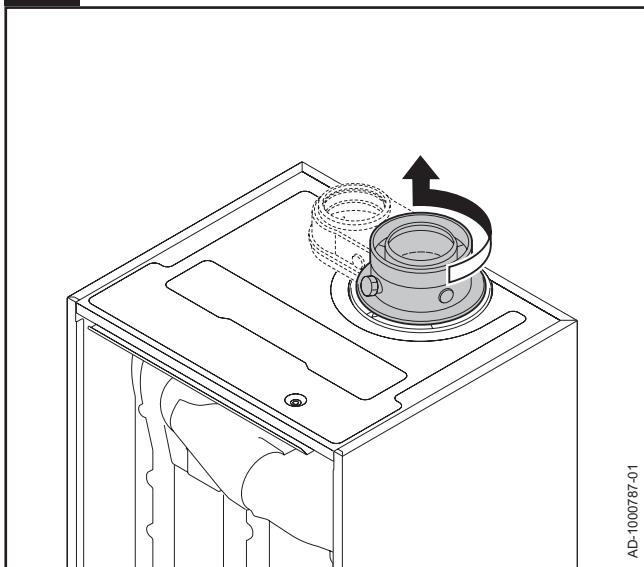


A/B3



A/B/C4

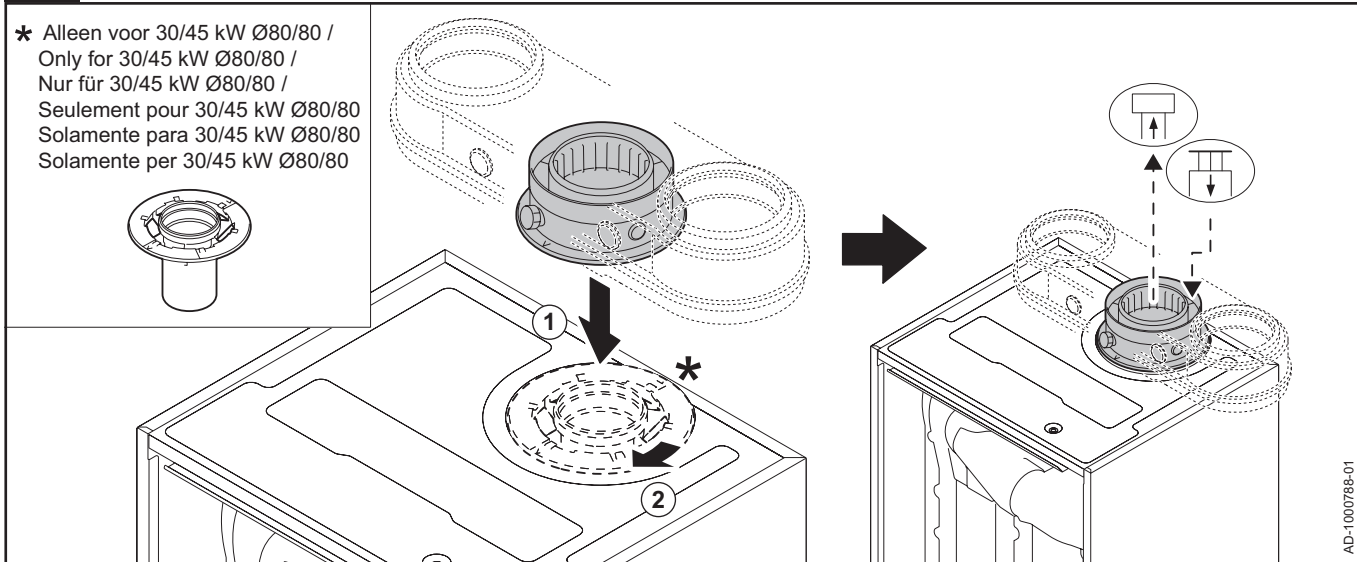
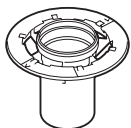


C1

AD-1000787-01

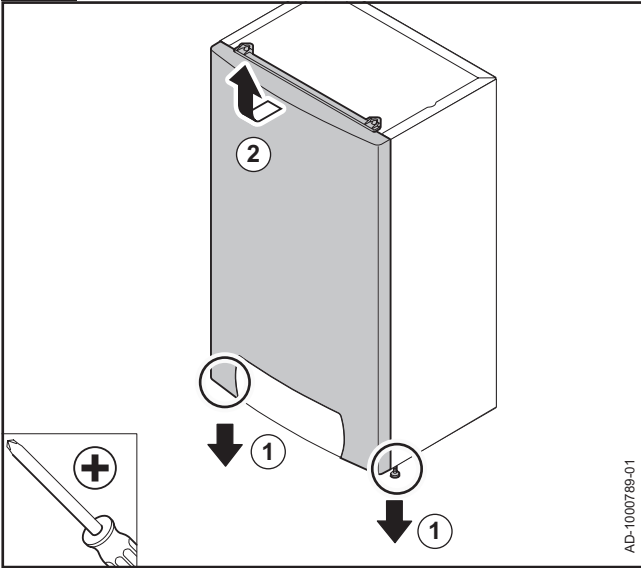
C2

* Alleen voor 30/45 kW Ø80/80 /
 Only for 30/45 kW Ø80/80 /
 Nur für 30/45 kW Ø80/80 /
 Seulement pour 30/45 kW Ø80/80 /
 Solamente para 30/45 kW Ø80/80 /
 Solamente per 30/45 kW Ø80/80

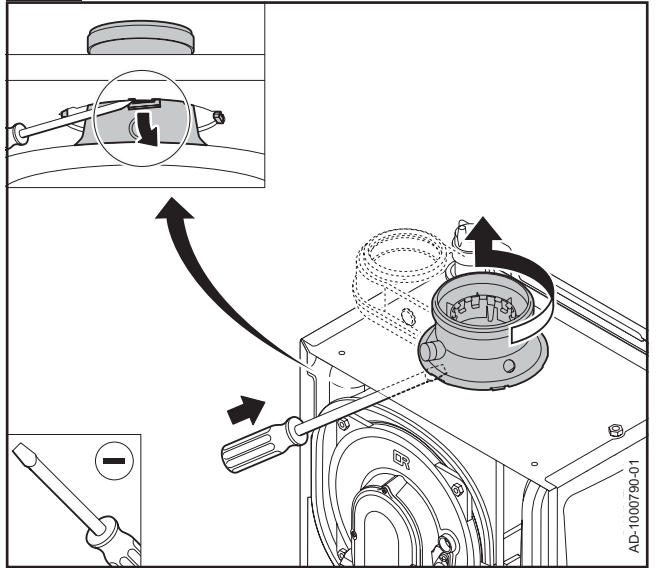


AD-1000788-01

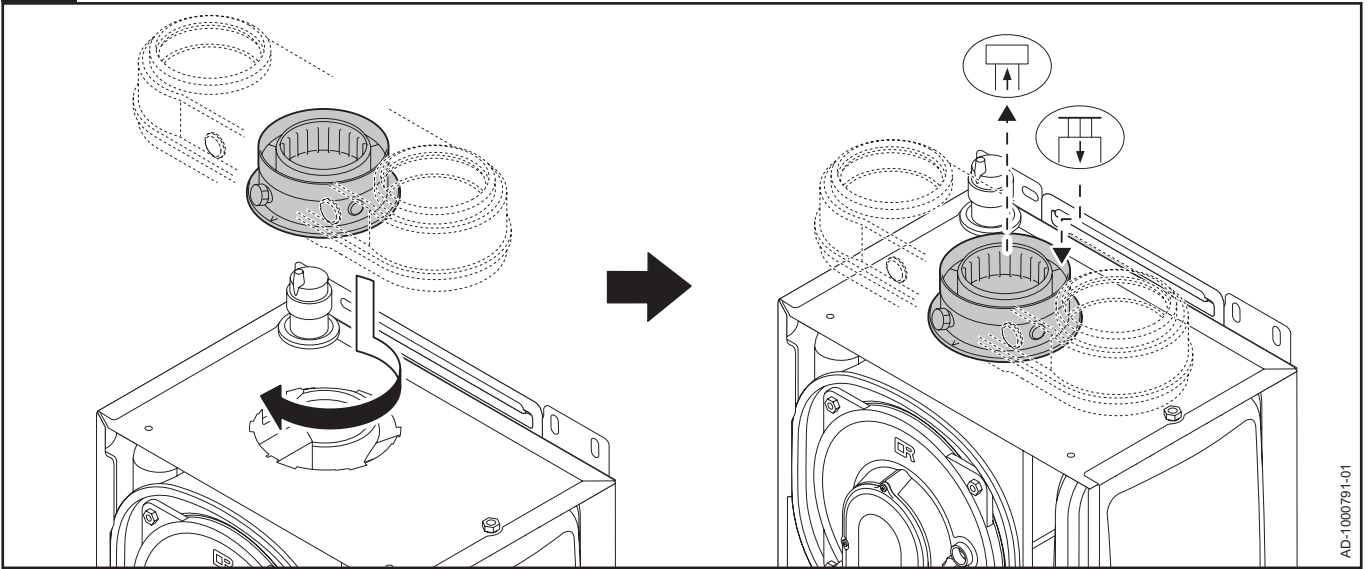
D/E1



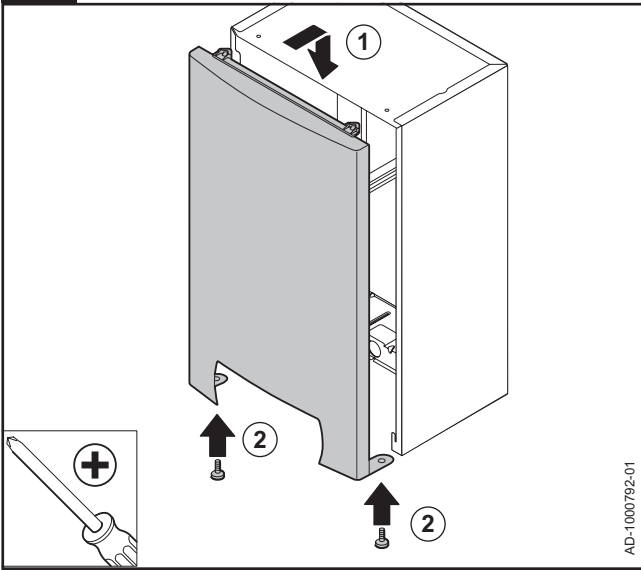
D/E2

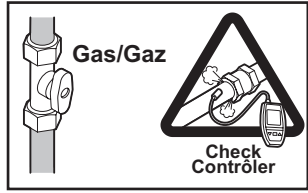
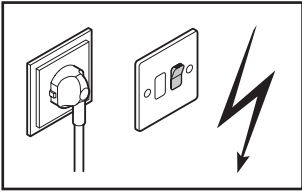


D/E3



D/E4





© Copyright

All technical and technological information contained in these technical instructions, as well as any drawings and technical descriptions supplied, remain our property and shall not be multiplied without our prior consent in writing.

Ours is a policy of continuous development. We reserve the right to alter specifications without prior notification.

Subject to alterations

